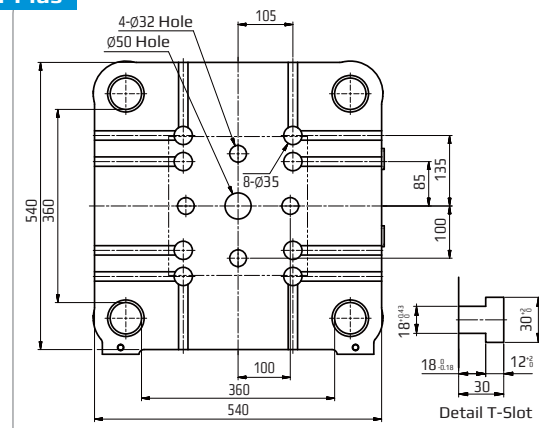
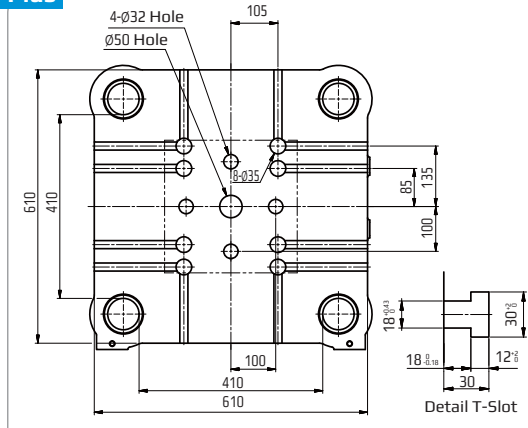


Moving Platen Drawing

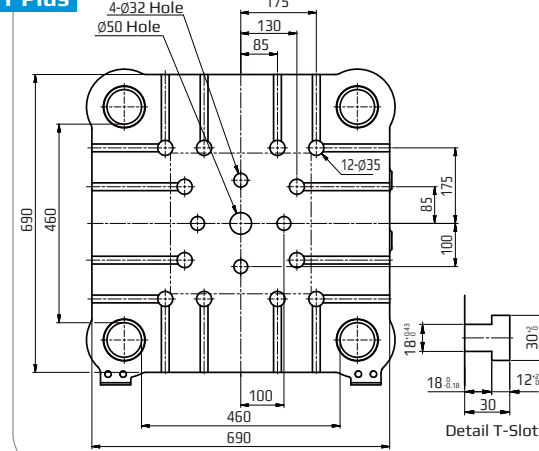
WIZ90T Plus



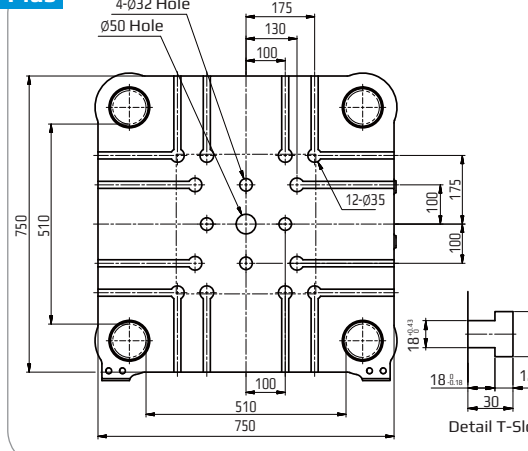
WIZ110T Plus



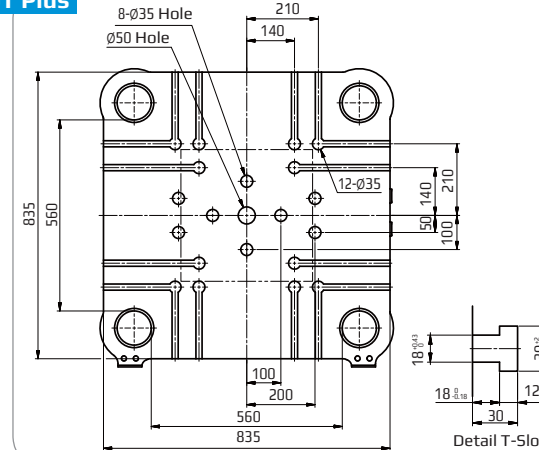
WIZ140T Plus



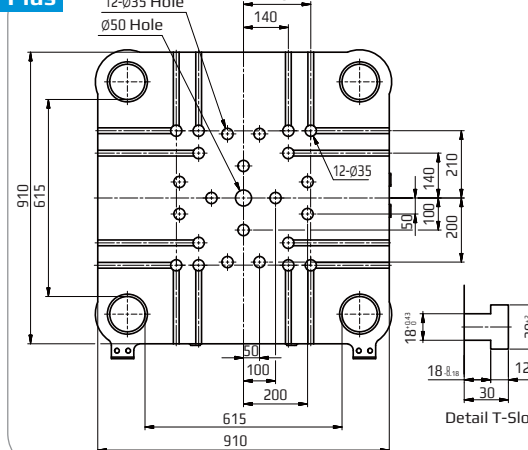
WIZ170T Plus



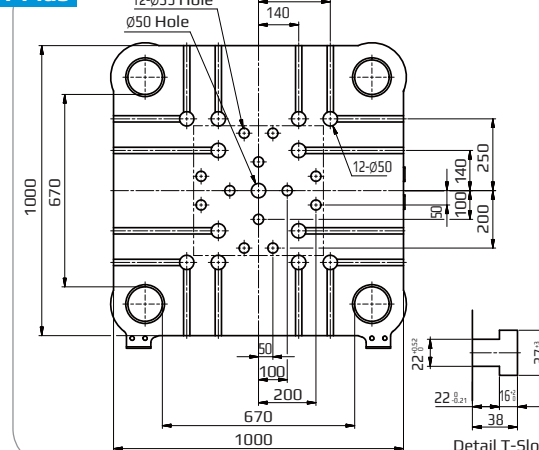
WIZ220T Plus



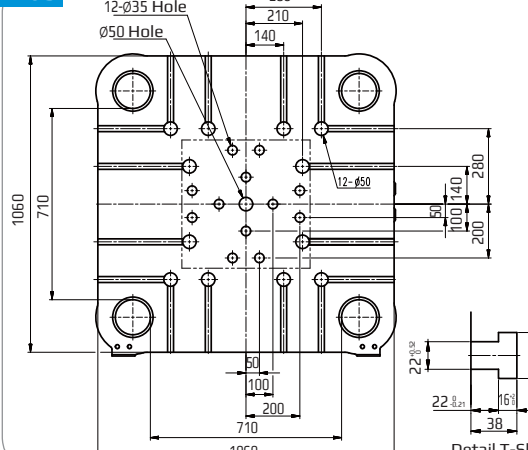
WIZ280T Plus



WIZ330T Plus



WIZ380T Plus



LS Mtron
www.lsinjection.com



Compact hybrid Injection Molding Machine 90~380ton
WIZ-T Plus Series



COPYRIGHT (C) 2020 All rights reserved by LS Mtron Molding Machine Division. 202004082000

Overseas Sales Head Office
7F, LS Mtron Hi-Tech Center, 39, LS-ro 116beon-gil, Dongan-gu, Anyang-si, Gyeonggi-do, 14118, Korea
Tel : +82-31-8045-9758

USA Sales Head Office
6670 Jones Mill Ct, Suite G
Peachtree Corners, GA 30092
Tel : +1 678-395-4389, 770-674-7446 Fax : 770-696-5361

LS Machinery CHINA
LS Industrial Park, Lexing Road, National High-tech Industrial development Zone, Wuxi, Jiangsu 214028 CN
Tel : +86-510-8299-3877

P.T LS Mtron Machinery INDONESIA
Jl. Samsung 2 Blok D3A Jababeka UKM Center Segitiga Emas, Cikarang Utara, Bekasi 17550
Tel : +62-21-2908-2775

LS Mtron BRAZIL
Rua Maria Candida, N° 2.097, Vila Guilherme- São Paulo-SP-Brazil, 02071-013
Tel : +55-11-5052-1052

LS Mtron POLAND
Ul. Legnicka 17/7, 53-671 Wrcolaw Poland
Tel : +48-71-349-77-58

LS Mtron VIETNAM
Charmvit Tower 10F #17 117 Tran Duy Hung Street, Cau Giay District, Hanoi, Vietnam
Tel : +84 24-3201-1572-3



LS Mtron

